

maxspeed

CRANE DRIVE
FOR
TRANSTAINER CONTROL

FURNISHED TO
PACECO, INC.

INSTALLATION LOCATION	CRANE NUMBER	PACECO JOB NUMBER	GENERAL ELECTRIC REQUISTION NUMBER	S/O NUMBER
-----------------------	--------------	-------------------	------------------------------------	------------

DRAWING NO	SHEET	TYPE	DESCRIPTION
368597620 AC	1A	ELEMENTARY	TITLE AND INDEX
368597620	1B	ELEMENTARY	NOMENCLATURE AND SYMBOLS
368597620	1C	ELEMENTARY	MOTOR DATA & FUSE DATA
368597620 AC	2A	ELEMENTARY	ENGINE GENERATOR CONTROL
368597620 AC	2B	ELEMENTARY	AC POWER CIRCUITS
368597620AB	2C	ELEMENTARY	AC POWER CIRCUITS
368597620 AC	2D	ELEMENTARY	AC CONTROL CIRCUITS
368597620	2E	ELEMENTARY	AC CONTROL CIRCUITS
368597620	3A	ELEMENTARY	HOIST/GANTRY ARMATURE
368597620	3B	ELEMENTARY	HOIST/GANTRY DC CONTROL
368597620 AC	3C	ELEMENTARY	HOIST/GANTRY AC CONTROL
368597620	3D	ELEMENTARY	HOIST/GANTRY GENERATOR REGULATOR
368597620	3E	ELEMENTARY	HOIST/MOTOR FIELD REGULATOR
368597620	3F	ELEMENTARY	GANTRY MOTOR FIELD REGULATOR
368597620AC	4A	ELEMENTARY	TROLLEY ARMATURE
368597620AC	4B	ELEMENTARY	TROLLEY DC CONTROL
368597620	4C	ELEMENTARY	TROLLEY AC CONTROL
368597620AC	4D	ELEMENTARY	TROLLEY GENERATOR REGULATOR
368597620AC	5A	ELEMENTARY	MISCELLANEOUS CIRCUITS
368597620AC	6A	ELEMENTARY	SPREADER CIRCUITS
20293855		CONSTRUCTION	RESISTOR ASSEMBLY

REV. 3	REV. 2	APPROVALS	GENERAL ELECTRIC	ELEMENTARY DIAGRAM
REV. 4	REV. 1	DATE: 12-20-70	CONTROLLED VARIATOR DEPT.	TITLE & INDEX
REV. 5	DATE: FEB. 25, 1970	474-93376	ERIE, PA. U.S.A.	368597620AC
		6V145A4002		CONT. ON BK. 1B 1A

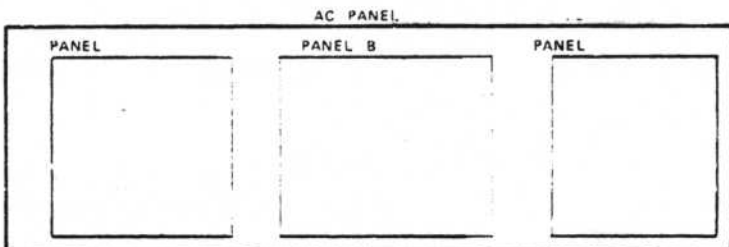
	A	B	C	D	E	F	G	H	J	K	L	M	N	P	Q	R	S	01
02	S-21 REGULATOR SYMBOLS																	02
03																		03
04																		04
05		DISCRIMINATOR GEI-92021																05
06																		06
07																		07
08		FILTER GEI-92021																08
09																		09
10																		10
11	AMP 231	UNIVERSAL AMPLIFIER GEI-92016																11
12																		12
13																		13
14																		14
15																		15
16		REVERSING DRIVER AND POWER AMPLIFIER GEI-92010																16
17																		17
18																		18
19																		19
20		POWER AMPLIFIER WITH POWER SUPPLY GEI-95518																20
21																		21
22																		22
23																		23
24																		24
25																		25
26																		26
27		RELAY GEI-92014																27
28																		28
29																		29
30																		30
31																		31
32		COORDINATION CARD WITH UNIVERSAL AMP GEI-92006																32
33																		33
34		SPECIAL PURPOSE COORDINATION CARD 36C762849AA																34
35																		35
36		CARGO WINCH COORDINATION CARD 26C760721AB																36
37																		37
38																		38
39		INSTRUMENT CARD TEST POINT CEI-92029																39
40																		40
41		COMPONENT MOUNTED ON REGULATOR BRKT																41
42																		42
43																		43
44																		44
45																		45
46		COMMON																46
47																		47
48																		48
49																		49
50		POWER SUPPLY																50
51																		51
52																		52
53																		53
54																		54
55																		55
56																		56
57																		57
58																		58
59																		59
60																		60
61																		61
																	01	
																	02	
																	03	
																	04	
																	05	
																	06	
																	07	
																	08	
																	09	
																	10	
																	11	
																	12	
																	13	
																	14	
																	15	
																	16	
																	17	
																	18	
																	19	
																	20	
																	21	
																	22	
																	23	
																	24	
																	25	
																	26	
																	27	
																	28	
																	29	
																	30	
																	31	
																	32	
																	33	
																	34	
																	35	
																	36	
																	37	
																	38	
																	39	
																	40	
																	41	
																	42	
																	43	
																	44	
																	45	
																	46	
																	47	
																	48	
																	49	
																	50	
																	51	
																	52	
																	53	
																	54	
																	55	
																	56	
																	57	
																	58	
																	59	
																	60	
																	61	

AM	AMMETER	R	RESISTOR
AMP	AMPLIFIER	RB	RESISTOR BOX
C	CAPACITOR	RE	RECTIFIER ASSEMBLY
CB	CIRCUIT BREAKER	REG	REGULATOR
D	DIODE	RPA	REVERSING POWER AMPLIFIER
DA	DISCRIMINATOR	SH	SHUNT
DB	FILTER	T	TRANSISTOR
FU	FUSE	T	TRANSFORMER
GL	GEARED LIMIT SWITCH	TH	THYRISTOR RESISTOR
GPT	GEN POWER TRANSFORMER	TY	THYRECTOR
HTR	HEATER	VM	VOLTMETER
J	TEST JACK	Z	ZENER DIODE
LR	LOOP RESISTOR		
LSH	OVERHOIST LIMIT SWITCH		
MPA	MOTOR POWER AMPLIFIER		
MPT	MOTOR POWER TRANSFORMER		
MS	MASTER SWITCH		
P	POTENTIOMETER		

NOTES

- INTERLOCK COUNT THE NUMBERS IN THE RIGHT-HAND MARGIN INDICATE THE LOCATION ON THE ELEMENTARY OF THE AUXILIARY CONTACTS FOR EACH RELAY OR CONTACTOR. THE FIRST DIGIT(S) INDICATES SHEET NUMBER. THE LAST TWO DIGITS INDICATE LINE NUMBER. NORMALLY CLOSED CONTACTS ARE UNDERLINED. SPARE CONTACTS ARE INDICATED BY "0"
- NUMBERS IN PARENTHESIS - INDICATE TERMINAL MARKINGS ON A DEVICE.
- NUMBERS IN BRACKETS - INDICATE THE LOCATION ON THE ELEMENTARY OF THE CONTINUATION OF A CIRCUIT OR DEVICE. THE FIRST DIGIT(S) INDICATES THE ELEMENTARY SHEET NUMBER. THE LAST TWO DIGITS INDICATE THE LINE NUMBER.
- WIRE NUMBERING SYSTEM: WIRE NUMBERS ARE SHOWN ON EACH SHEET AS TWO-DIGIT NUMBERS (E.G. 01,02,10,42, ETC.) EXCEPT FOR WIRES ORIGINATING ON ANOTHER SHEET, WHICH ARE SHOWN AS 4-DIGIT NUMBERS. IN ALL CASES, THE COMPLETE WIRE NUMBER (WHICH APPEARS ON THE ACTUAL WIRES IN THE EQUIPMENT AND ON THE TERMINAL BOARDS) IS A 4-DIGIT NUMBER. THE FIRST TWO DIGITS INDICATE THE NUMBER OF THE ELEMENTARY DIAGRAM SHEET ON WHICH THE WIRE ORIGINATES AND THE LAST TWO DIGITS INDICATE THE WIRE ON THAT SHEET. THUS 5A42 INDICATES WIRE NUMBER 42 ORIGINATES ON SHEET 5A OF THE ELEMENTARIES.

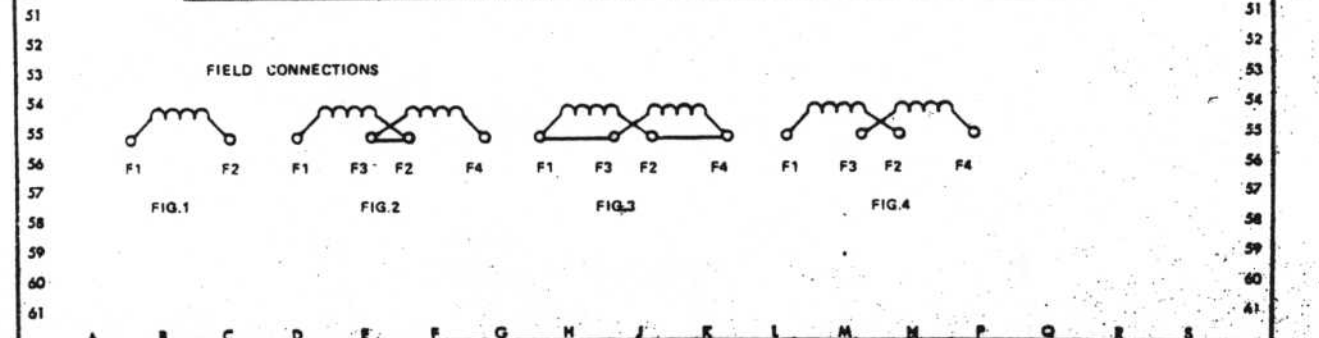
	- LOCATED IN CAB		- JUMPER ON TERMINAL BOARD
	- FURNISHED AND MOUNTED BY		- MOUNTED IN REGULATOR
	- FURNISHED BY		- GANTRY TROLLEY CONDUCTOR
	- FURNISHED BY		- TROLLEY SPREADER CONDUCTOR



DC MOTORS															
ITEM	FRAME	TIME	HP	VOLTS	AMPS	BASE RPM	RESISTANCE AT 25°C			SHUNT FIELD DATA				RPM	
							ARM	COMM FIELD	SERIES FIELD	FIELD COMM	RES AT 25°C	HOT DROP	AMPS (FL)		
HOIST	B1	CD 409ATY TEAQ-WP	60 MIN	75	500	121	1150	0.06	0.024	0.0024	FIG.1	23.0	240	7.46 2.5	1150 2300
GANTRY	C1	CD 365AT TENV-WP	60 MIN	30	240	103	1750	.0491	.0143	0.0007	FIG.1	10	80	6.12	1750
TROLLEY	B2	CD 2110ATY TENV-WP	30 MIN	10	240	35	1750	0.43	0.15	---	FIG.1	72	150	1.48 1.00	1750 2300

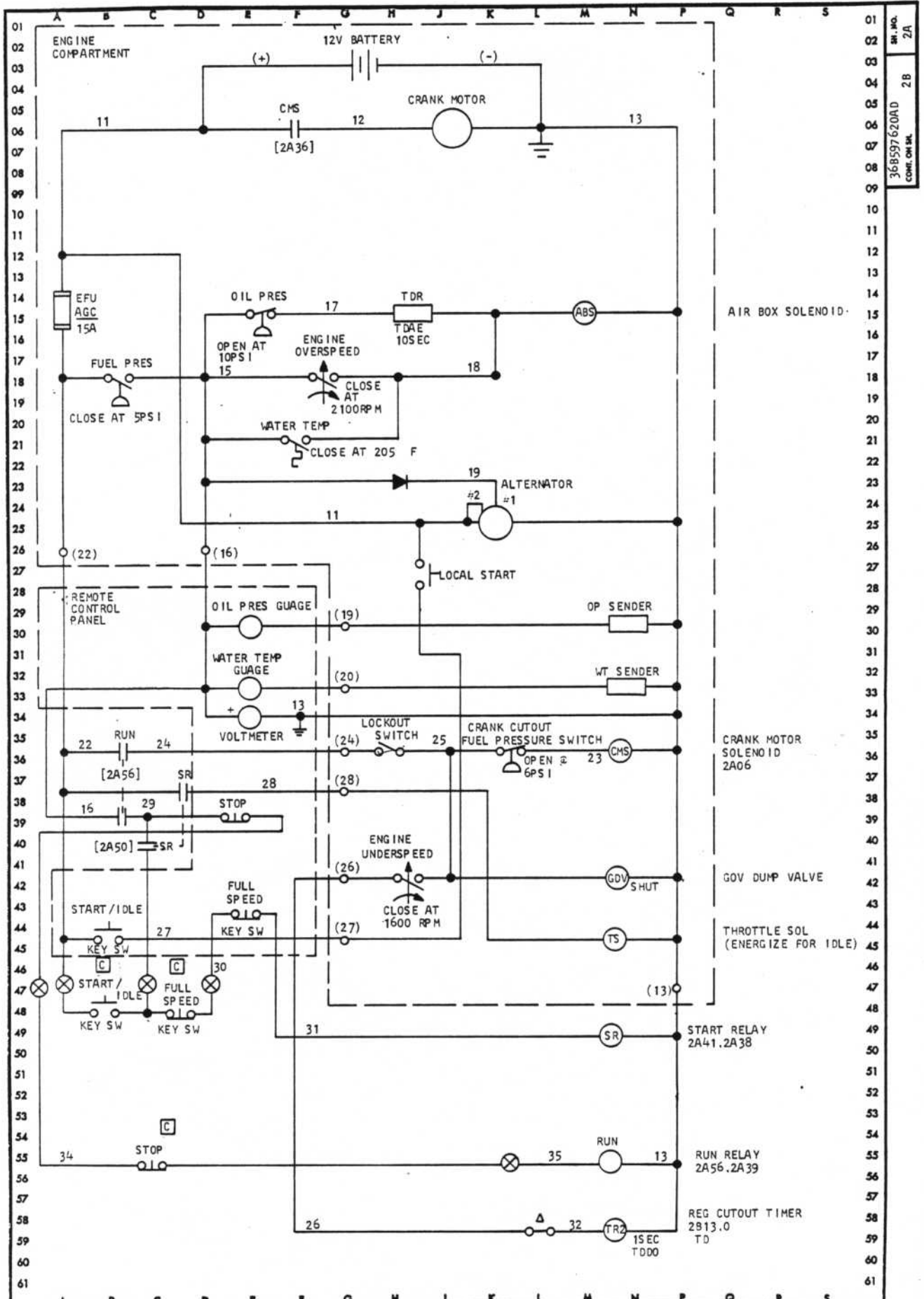
DC GENERATORS															
DRIVE	ITEM	FRAME	TIME	KW	VOLTS	AMPS	RPM	RESISTANCE AT 25°C			SHUNT FIELD DATA				
								ARM	COMM FIELD	SERIES FIELD	FIELD COMM	RES AT 25°C	HOT DROP	SATURATION CURVE	
										VOLTS	AMPS				
HOIST/GANTRY GENERATOR 1	A2	CD 368AT	CONT	65	500	130	1750	0.104	0.029	---	FIG.1	8.93	102V	500FL	8.48
TROLLEY GENERATOR 2	A3	CD 258AT	CONT	9	250	38	1750	.565	.152	---	FIG.1	21.5	100	250FL	3.2

FUSE TABLE						
NOMENCLATURE	TYPE	AMPS	VOLTS	CATALOG NUMBER	QNTY.	
MFU1-2	NON	3	250	104X109AA001	2	
CFU	NON	10	250	104X109AA003	1	
3FU1-2	FAST(A25X15)	15	250	104X109AD006	2	
HGFU1-2	FAST(A25X20)	20	250	104X109AD014	2	
HGFU3	NON	3	250	104X109AA001	1	
HMFU1	FAST(A25X15)	15	250	104X109AD006	1	
HMFU2	NON	3	250	104X109AA001	1	
GFU1	FAST(A25X15)	15	250	104X109AD006	1	
GFU2-3	NON	3	250	104X109AA001	2	
TFU1-2	FAST(A25X20)	20	250	104X109AD014	2	
TFU3	NON	3	250	104X109AA001	1	
WINDSHIELD WIPER FUSE	FAST(A25X15)	15	250	104X109AD006	1	



REV. 3	REV. 2	REV. 1	APPROVALS	GENERAL ELECTRIC SPEED VARIATOR DEPT. EXET, FA. U.S.A.	PRELIMINARY DIAGRAM TRANSFORMER DC MACHINE DATA 368597620 CORR. OR. WA. 2A
REV. 4	REV. 5	REV. 6	REV. 7		
REV. 8	REV. 9	REV. 10	REV. 11		

368597620
 CORR. OR. WA. 2A
 1C

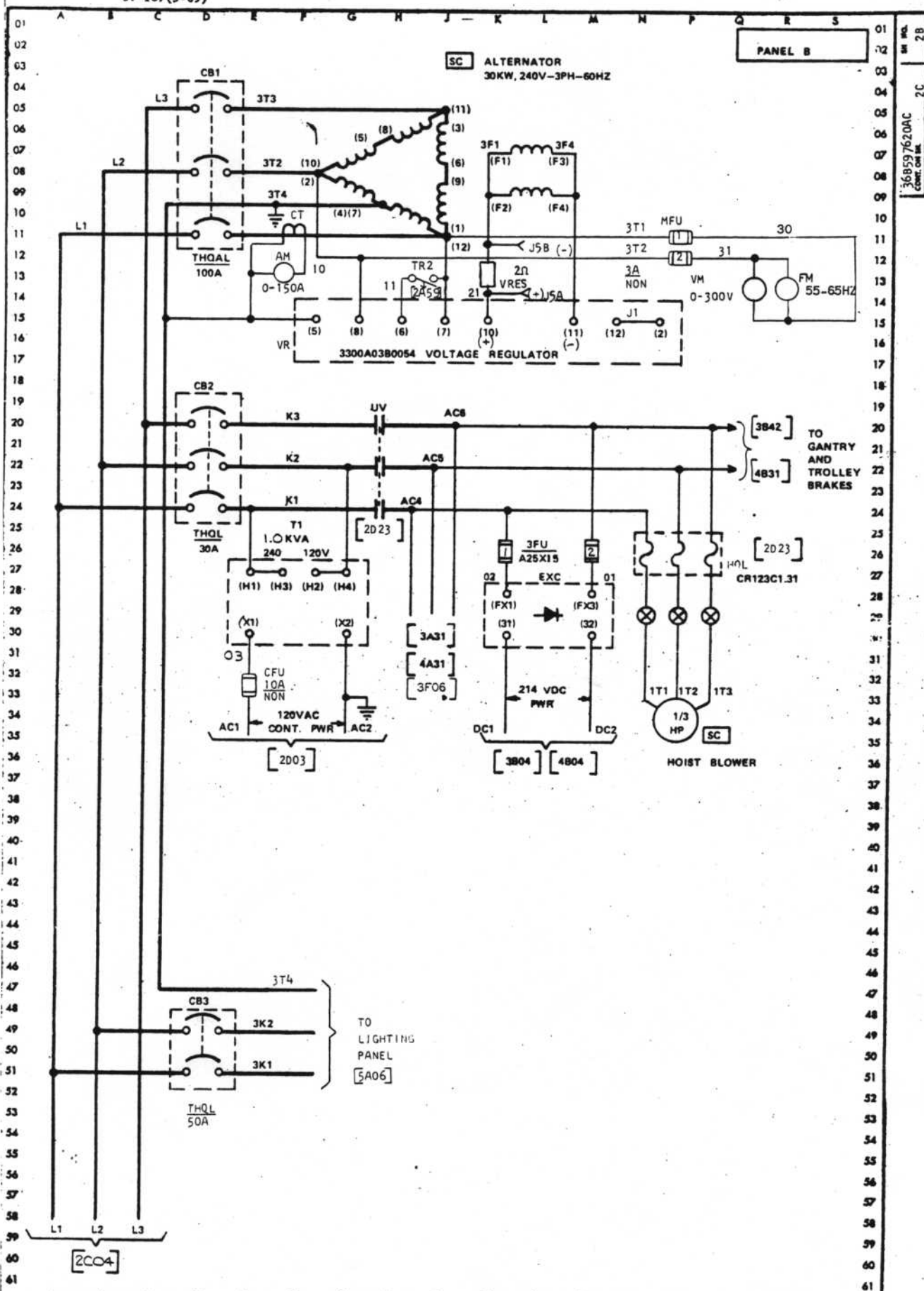


SH. NO. 2A
 368597620AD
 CONT. ON SH. 2B

REV. 3	REV. 2	REV. 1	APPROVALS	GENERAL ELECTRIC SPEED VARIATOR DEPT. ERIE, PA. U.S.A.	ELEMENTARY DIAGRAM ENGINE GENERATOR CONTROL 368597620AD CONT. ON SH. 2B	SH. NO. 2A
REV. 4	DESIGNED BY <i>W. H. ...</i>	DRAWN BY <i>W. H. ...</i>	DATE MADE FOR REG. 474-93376			
REV. 5	MADE BY <i>A. Yeaney</i>	DATE <i>4/1/81</i>	6V145A4002			

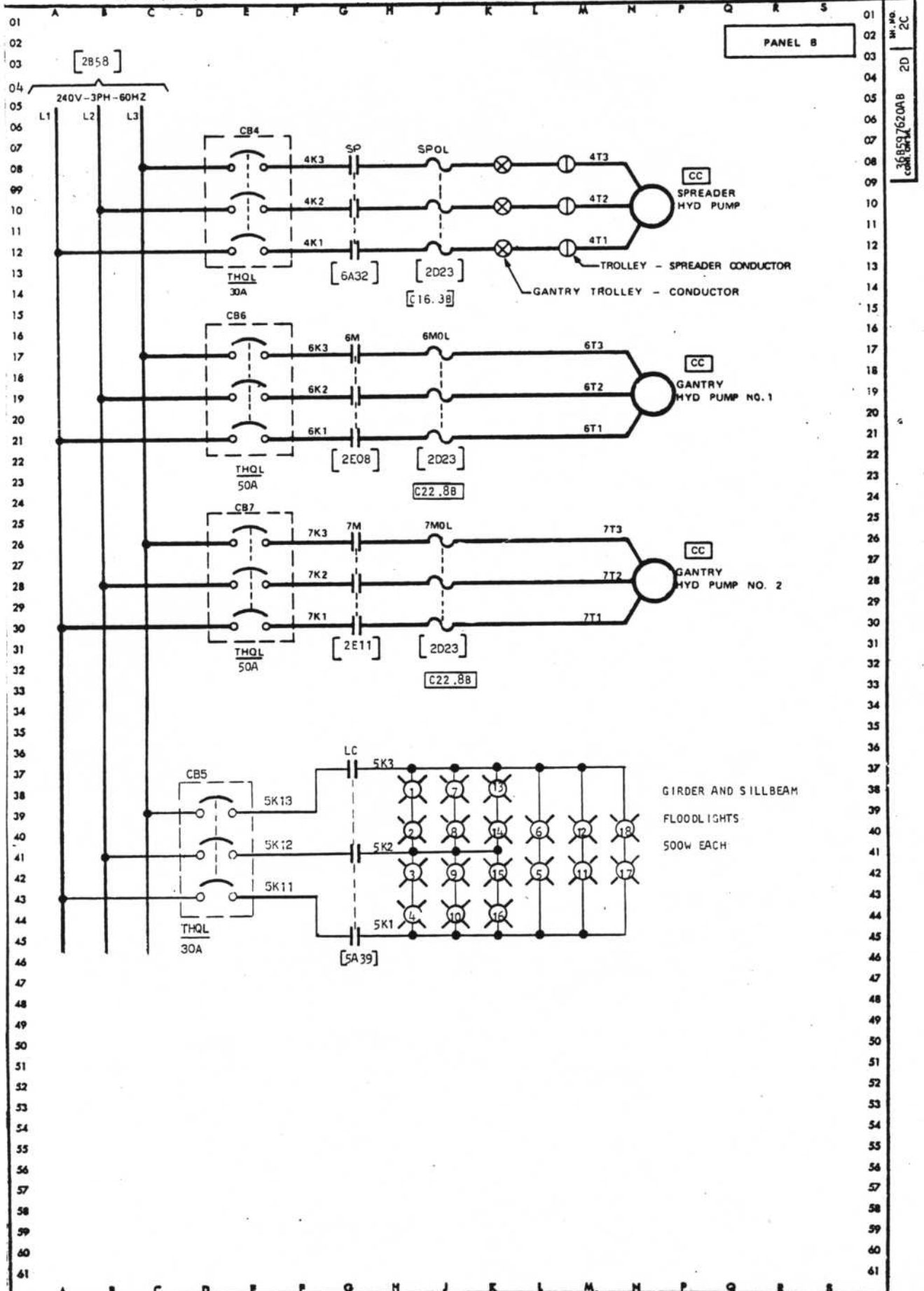
SV-167(5-69)

PANEL B



368597620AC
CONT. ON IN.

01
02
03
04
05
06
07
08
09
10
11
12
13
14
15
16
17
18
19
20
21
22
23
24
25
26
27
28
29
30
31
32
33
34
35
36
37
38
39
40
41
42
43
44
45
46
47
48
49
50
51
52
53
54
55
56
57
58
59
60
61



PANEL 8

368597620AB 2D 2C

REV. 3	REV. 2	REV. 1	APPROVED	GENERAL ELECTRIC	REINTEGRITY DIAGRAM
REV. 4	J. Gule 12-14-78	5(8)	474-93164	SPEED VARIATOR DEPT.	TRANSFORMER
REV. 5	P. Freeman December 14, 1978		6V14584001	ERIE, PA. U.S.A.	AC POWER CRTS
					368597620AB
					Cont. cont. etc.
					2D 2C

